

RGBCW LED PAR36 LAMP

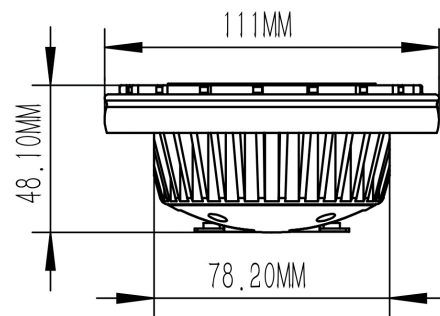
Description

Low voltage smart control landscape LED PAR36 lamps; RGB color changing and 2200K to 5000K tunable; Controllable via both App and remote controllers; Die cast aluminum lamp housing, coupled with thermal fold-back LED driver to ensure the lamp last longer; Water resistant structural design and craftsmanship to make it be suitable for wet locations; Up to 65 ft effective distance and once grouped it requires no signal boosters. Specifically designed optic suitable for RGBW lighting. Ideal choice for drop-in fixtures carrying PAR36 type lamps.



Features

- Color changing and CCT tunable
- Control by App and remote controllers
- Die cast aluminum lamp housing
- Zoning, timing, sync functions by App control
- Overheat protection
- IP67



Specs

WATT	R	G	B	2200K 2700K		3000K	4000K	5000K
	14	14	14	14	14	14	14	14
LUMENS	330	500	100	540	560	600	680	700
BEAM ANGLE	60°							
INPUT	8-18V ac							
IP RATING	67							
HOUSING	Die cast aluminum							
FINISH	Black							
LIFESPAN	40,000 hrs							
LAMP BASE	Screw terminal							
CONTROL	App & Remote controllers							



APP Download Entrance



Megrez Smart
(For Apple Devices)



Megrez Smart
(For Android Devices)

SPECIAL NOTES

- * Not for underwater applications
- * Do not work with triac dimmers
- * Do not work with electronic transformers

***Remote controllers are sold separately