

RGBCW LED MR16 LAMP

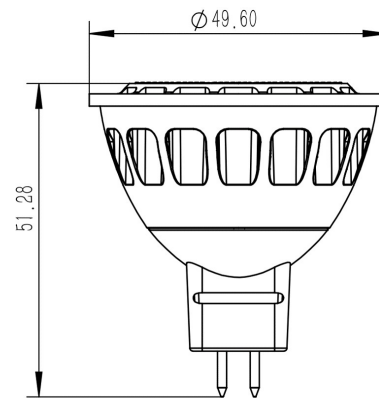
Description

Low voltage smart control landscape LED MR16 lamps; RGB color changing and 2200K to 5000K tunable; Controllable via both App and remote controllers; Die cast aluminum lamp housing, coupled with thermal fold-back LED driver to ensure the lamp last longer; Up to 65 ft effective distance and once grouped it requires no signal boosters. Specifically designed optic suitable for RGBW lighting. Ideal choice for drop-in fixtures carrying MR16 type lamps.



Features

- Color changing and CCT tunable
- Control by App and remote controllers
- Die cast aluminum lamp housing
- Zoning, timing, sync functions by App control
- Overheat protection
- IP61



Measurement in millimeters

Specs

WATT	R	G	B	2200K 2700K		3000K	4000K	5000K
	5	5	5	5	5	5	5	5
LUMENS	100	200	40	194	205	216	243	263
BEAM ANGLE	60°							
INPUT	8-18V ac							
IP RATING	61							
HOUSING	Die cast aluminum							
FINISH	Black							
LIFESPAN	40,000 hrs							
LAMP BASE	GU5.3							
CONTROL	App & Remote controllers							



APP Download Entrance



Megrez Smart
(For Apple Devices)



Megrez Smart
(For Android Devices)

SPECIAL NOTES

- * Not for underwater applications
- * Do not work with triac dimmers
- * Do not work with electronic transformers

***Remote controllers are sold separately