

Landscape PAR36 LED Bulb

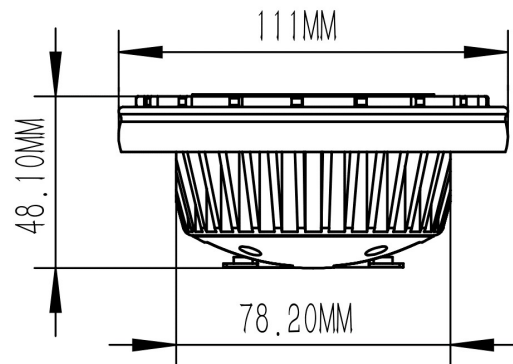
Description

PAR36 bulb with typical white color 2700K, 3000K; 90Ra minimum CRI, Single source LED chipset; Die cast aluminum housing with sufficient thermal management; Dimmable with magnetic transformers; Thermal fold-back featured LED driver to prevent LEDs from overheat damage; Waterproof structure and suitable for wet locations; Ideal replacement bulbs for drop-in fixtures like well light fixtures, spotlight fixtures.



Features

- 90Ra minimum CRI
- IP67 & Suitable for wet locations
- Thermal fold-back featured LED driver
- Suitable for operating in enclosed fixtures
- Single source LED chipset
- 3-step MacAdam



Specs

WATT	4	7	11	15	4	7	11	15
CCT	2700K	2700K	2700K	2700K	3000K	3000K	3000K	3000K
LUMENS	350	580	900	1150	370	610	950	1210
CRI	90Ra+							
BEAM ANGLE	24°, 38°, 60°							
INPUT	8-18V ac							
IP RATING	67							
HOUSING	Die cast aluminum							
FINISH	Black							
LIFESPAN	40,000 hrs							
LAMP BASE	Screw terminal							

SPECIAL NOTES

- * NOT for underwater applications
- * Do not work with triac dimmers
- * Do not work with electronic transformers