

## LANDSCAPE MR16 LED BULB

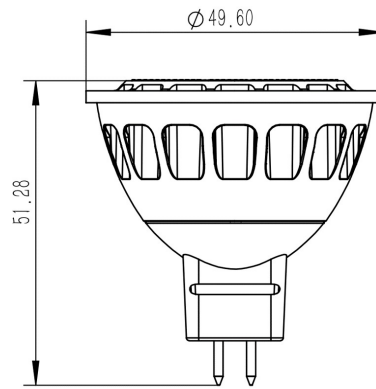
### Description

MR16 LED replacement bulb with typical white color 2700K, 3000K; Die cast aluminum housing with sufficient thermal management; 90Ra minimum CRI; Dimmable with magnetic transformers; Thermal fold-back featured LED driver to prevent LEDs from overheat damage; Suitable for enclosed brass fixtures.



### Features

- Overheat Protection
- Suitable for Enclosed Brass Fixtures
- Single Source COB LED Chipset
- 90Ra+ CRI
- Dimmable with Most Magnetic Transformers
- IP61



Measurement in millimeters

### Specs

CCT	2700K	2700K	2700K	3000K	3000K	3000K			
WATT	3	5	7	3	5	7			
LUMENS	270	460	580	297	506	600			
CRI	92Ra								
BEAM ANGLE	24°, 38°, 60°								
INPUT	8-18V ac								
IP RATING	61								
HOUSING	Die cast aluminum								
FINISH	Black								
LIFESPAN	40,000 hrs								
LAMP BASE	GU5.3								

### SPECIAL NOTES

- \* NOT for underwater applications
- \* DO NOT work with triac dimmers
- \* DO NOT work with electronic transformers