

LANDSCAPE MR11 LED BULB

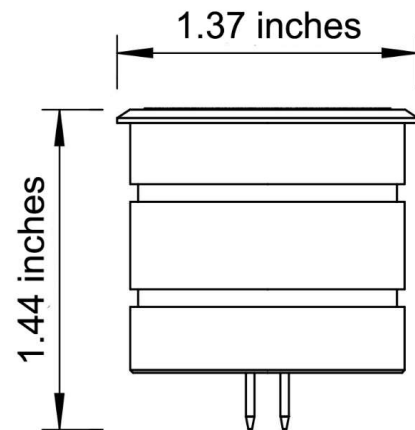
Description

MR11 LED replacement bulbs for landscape lighting; 2700K & 3000K typical CCT; 90Ra minimum CRI; Aluminum alloy heat sink; Single source COB LED chipset and COB type lens to deliver better light distribution; Dimmable with most magnetic transformers; 8-18V wide input range; Thermal fold-back featured LED driver circuitry to protect LEDs from overheat damage; Suitable for enclosed brass



Features

- Overheat Protection
- Suitable for Enclosed Brass Fixtures
- Single Source COB LED Chipset
- 90Ra+ CRI
- Dimmable with Most Magnetic Transformers
- IP61



Specs

CCT	2700K	3000K	2700K	3000K				
WATT	1	1	3	3				
LUMENS	100	109	230	245				
CRI	90Ra+							
BEAM ANGLE	38°, 60°							
INPUT	8-18V ac							
IP RATING	61							
HOUSING	Die cast aluminum							
FINISH	Black							
LIFESPAN	40,000 hrs							
LAMP BASE	GU4							

SPECIAL NOTES

- * NOT for underwater applications
- * DO NOT work with triac dimmers
- * DO NOT work with electronic transformers