

## RGBCW LED MR11 LAMP

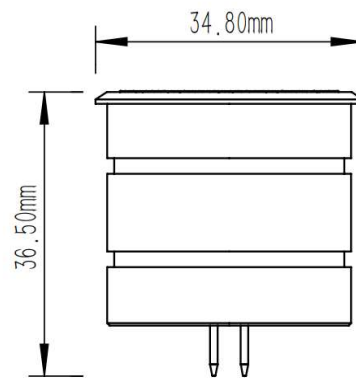
### Description

2.4G and Bluetooth dual-enabled smart lamp; RGB color changing and Kelvin temperature from 2200K to 5000K tunable; One lamp satisfies different lighting needs; Controllable both by remote controller and App; Zoning, dimming, timing, sync functions; LED drivers is programmed and featured as thermal fold-back to protect LEDs from overheat damage; Ideal retrofit lamp if you need RGBW lighting effect for your drop-in fixtures which carry MR11 type.



### Features

- Color changing and CCT tunable
- Control by App and remote controllers
- Die cast aluminum lamp housing
- Zoning, timing, sync functions by App control
- Overheat protection
- IP61



### Specs

WATT	R	G	B	2200K	2700K	3000K	4000K	5000K
	2.5	2.5	2.5	2.5	2.5	2.5	2.5	2.5
LUMENS	70	140	30	100	105	110	130	150
BEAM ANGLE	60°							
INPUT	8-18V ac							
IP RATING	61							
HOUSING	Die cast aluminum							
FINISH	Black							
LIFESPAN	40,000 hrs							
LAMP BASE	G4 Bi-pin							
CONTROL	App & Remote controllers							



APP Download Entrance



Megrez Smart  
(For Apple Devices)



Megrez Smart  
(For Android Devices)

### SPECIAL NOTES

- \* Not for underwater applications
- \* Do not work with triac dimmers
- \* Do not work with electronic transformers

\*\*\*Remote controllers are sold separately